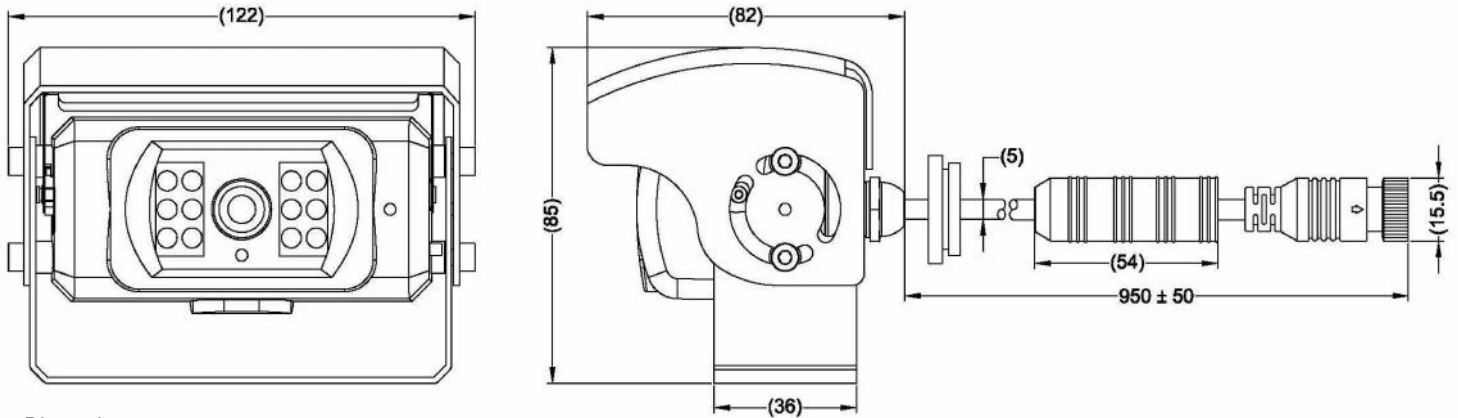


Product Specification



Brigade Model Number: VBV-710C / VBV-711C

Brigade Part Number: 2808A / 2841A



Dimensions: mm

Product Specification

Environmental Specifications:

- Shock Rating: 100 G
- Vibration Rating: 2.83 G
- Camera IP Rating: IP69K
- Connector IP Rating: IP67
- Operating Temperature: -20° to +70°C
- Storage Temperature: -30° to +80°C

Approved Standards:

VBV-710C

- CE - (EN 61000-6-1:2007 / EN 61000-6-3:2007)
- 'e' Mark - (ECE Regulation 10 Rev 04)

VBV-711C

- FCC - (47 CFR Part 15 Subpart B)

All

- Ingress Protection - (ISO 20653:2006)
- RoHS
- WEEE

Technical Specifications:

- Operating Voltage: 12 Vdc
- Current Consumption: 380mA @ 12 Vdc
- Power Consumption: 4.6 Watts @ 12 Vdc
- Imaging Devices: CCD - 1/3" Sharp
DSP - Sharp
- TV System:
 - VBV-710C PAL
 - VBV-711C NTSC
- Picture Elements:
 - VBV-710C 512 (H) x 582 (V)
 - VBV-711C 512 (H) x 492 (V)
- Visual Resolution: 420 TV Lines
- Lens Focal Length: 2.8mm

Technical Specifications Continued...

- Signal to Noise Ratio: 48dB
- Required Illumination: 0 Lux (IR LED ON)
- Illumination Distance: 10 Metres
- Viewing Angle: 90°(H), 70°(V), 110°(D)
- Weight: 605 Grams
- Video Output: 1.0 Vp-p / 75Ω
- Length of Cable: 950 ± 50mm
- Overall Dimensions: 122mm (W) x 82mm (D) x 85mm (H)
- Casing Material: Aluminium Alloy
- View: Mirror / Normal Selectable
- Finish: Black Powder Coating

Features:

- Back Light Compensation
- Automatic White Balance
- Fixed IRIS
- 12x High Power Infrared LEDs
- Integrated Day/Night Sensor
- Integrated Microphone
- Integrated Heater
- VBV 5 Pin Type Connector
- High Quality Sharp CCD & DSP

Package Contents:

- 1 x VBV-71XC-C - Camera
- 1 x VBV-71XC-BKT - Bracket
- 1 x VBV-71XC-SS - Sunshield
- 1 x VBV-71XC-FIX - Fixing Pack
- 1 x VBV-71XC-IG - Installation Guide

